



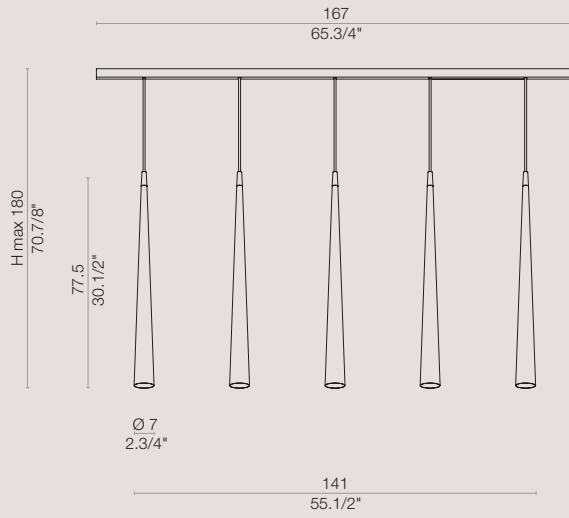
ME MYSELF AND IO



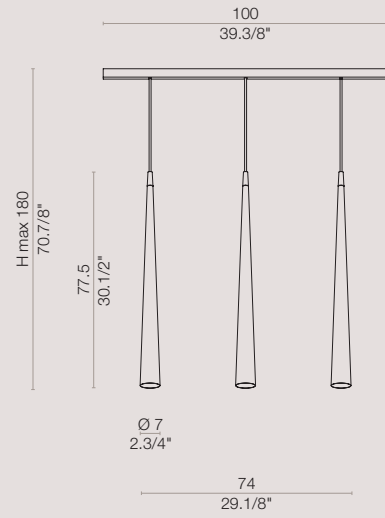
itama

130 / 131

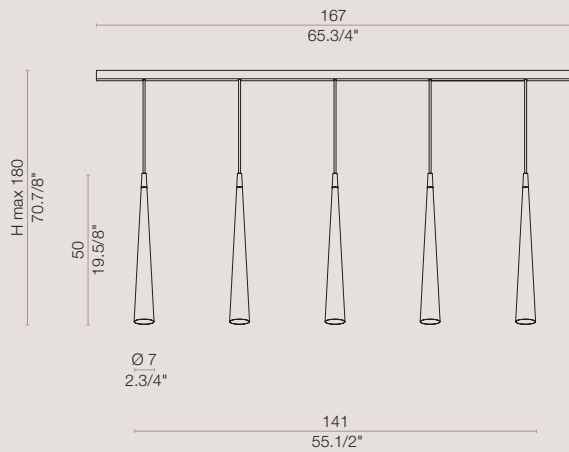
SO 5L



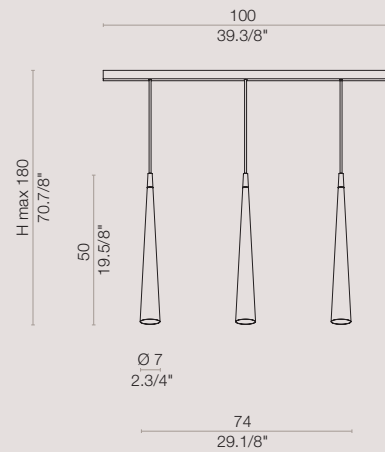
SO 3L



MINI SO 5L



MINI SO 3L



PROJECT:

TYPE:

MODEL #

FINISH/COLOUR

WATTAGE

LIGHT SOURCE

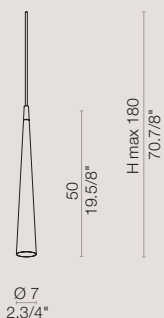
VOLTAGE



SO



MINI SO



[En] → Powder-coated metal conical tube available in 4 colors, chrome plated and concrete finish. Chrome plated metal cord grip. GU10 LED for direct light.

[It] → Tubo in metallo conificato verniciato a polveri nei 4 colori, cromato e finitura cemento. Particolare blocca cavo in metallo tornito ricavato dal pieno finitura cromo. Sorgente LED attacco GU10 con emissione di luce diretta.

material

metal
metallo

light source

LED 220-240V or Halo

120V for
NORTH AMERICA

equipment

SO / SO MINI
1 x 7W LED GU10 3000°K lm450
or 1 x max 40W GU10

SO 3L / MINI SO 3L
3 x 7W LED GU10 3000°K lm450
or 3 x max 40W GU10

SO 5L / MINI SO 5L
5 x 7W LED GU10 3000°K lm450
or 5 x max 40W GU10

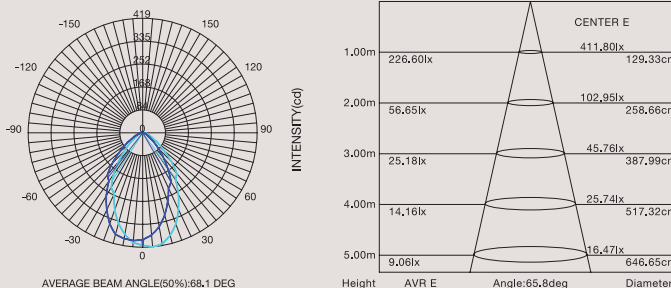
symbols



colors



photometric test SO



IO collection

[En] → **Cone of light.** The slow process of transformation of a tubular metal section to a slim and tapered cone, seems to attribute to the light-source the act of freezing the beam of light into a solid object. The accurate perfection of the surface, the specific weight and substance of the material, in contrast with the apparent fragility of the product, testify the value of the workmanship, all made in Italy. Last but not least, the varying color options, give the product an elegant and contemporary character.





SCANGIFT®

WWW.SCANGIFT.COM



SCANGIFT®

WWW.SCANGIFT.COM

IO

S0

suspension

dimensions

Ø 7 x H 77.5 cm

color

chrome





white 9010

dove 1019

grey 7031

black 9005

chrome

concrete

[En] → The conical shape of the lighting fixture is enhanced by a variety of colors and finishes: four powder coated colors, plus chromed and concrete finish. For all colors a special metal chromed detail is applied between the fixture and the electrical wire that supports it.

[It] → La forma conica della lampada viene valorizzata dai vari colori e finiture: quattro tonalità verniciate a polveri, la versione cromata e quella trattata a effetto cemento. A tutte le varianti è applicato un particolare tornito in metallo cromato posto tra il corpo illuminante e il cavo di alimentazione che lo sostiene.